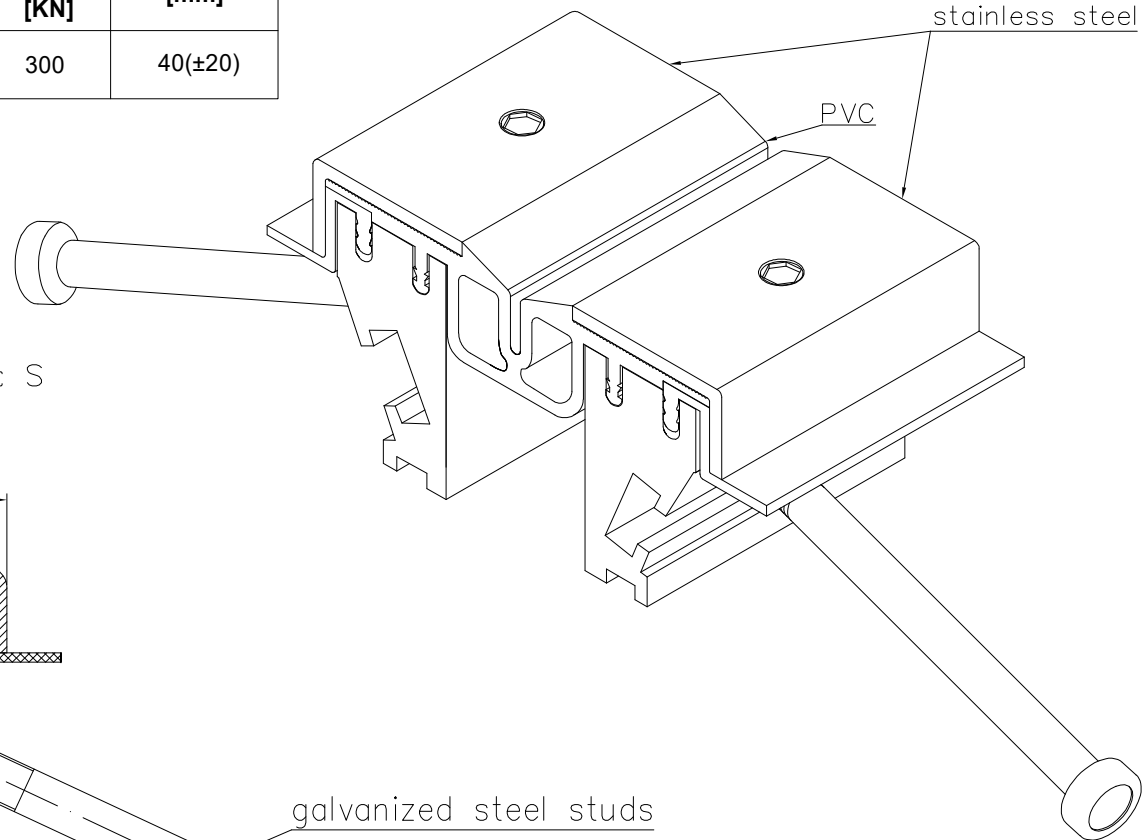


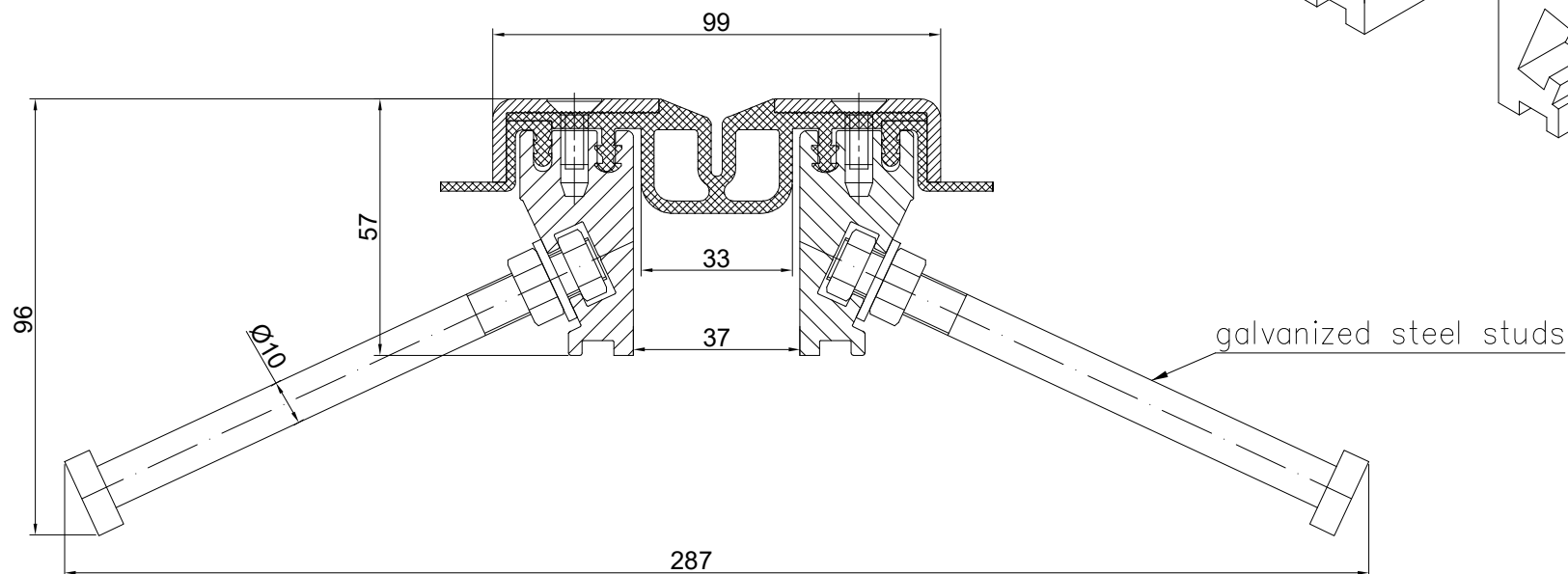
INFORMATION TABLE

| Type of profile | Visible element [mm] | Gap width [mm] | Base width [mm] | Installation height [mm] | Material type | Maximum load [kN] | Compensation [mm] |
|----------------------------|----------------------|----------------|-----------------|--------------------------|----------------------|-------------------|-------------------|
| GA 50.20.50& S +galv studs | 99 | 37 | 287 | 57 / 96 | Aluminum, PVC, steel | 300 | 40(±20) |

CONECTO PARK GA 50.20.50& S
VIEW



CONECTO PARK GA 50.20.50& S
SECTION



Expansion joint Conecto Park
GA 50.20.50& S

Conecto Profiles Sp. z o.o.
ul. Przemysłowa 39
61-541 Poznań
www.conecto-profiles.com



| | | |
|----------------------|----------------------|---|
| ROZMIAR / SIZE A3 | SKALA / SCALE 1:1 | Wszystkie wymiary podano w [mm] All dimensions in [mm] |
|----------------------|----------------------|---|

| | | | | | | | |
|---------|---------|----------|--------------|---------|---------|--------------|---------|
| PROJEKT | PROJECT | ZŁOŻENIE | SUB ASSEMBLY | RYSUNEK | DRAWING | ARKUSZ SHEET | WER REV |
| -- | -- | -- | -- | 01 | 01 | 1 OF 1 | |