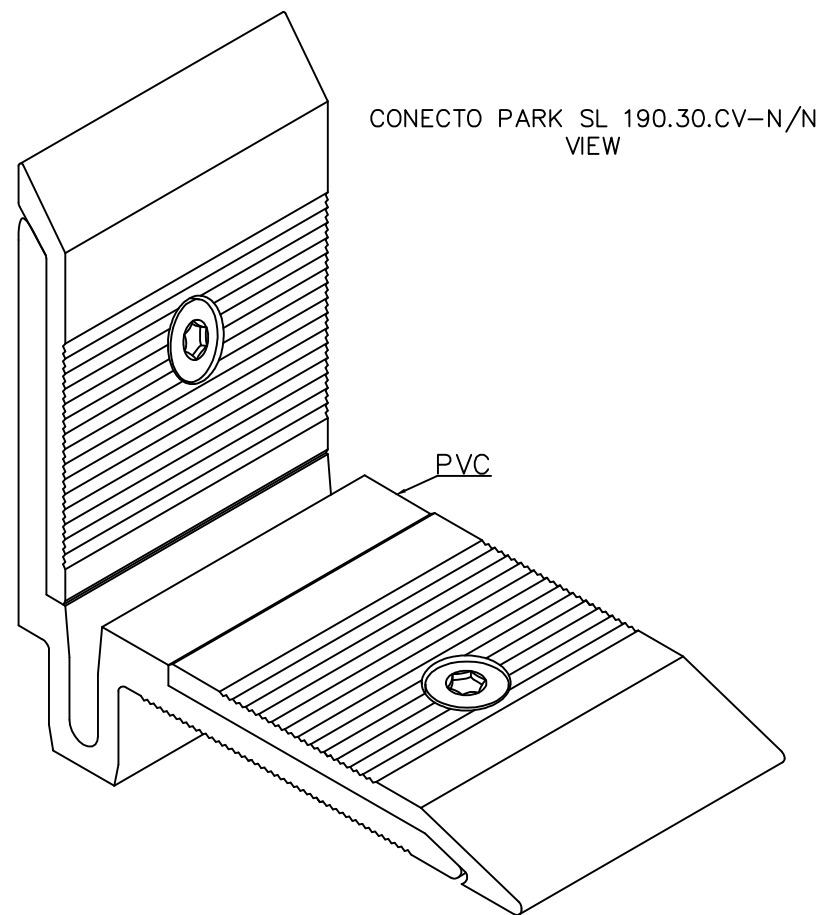
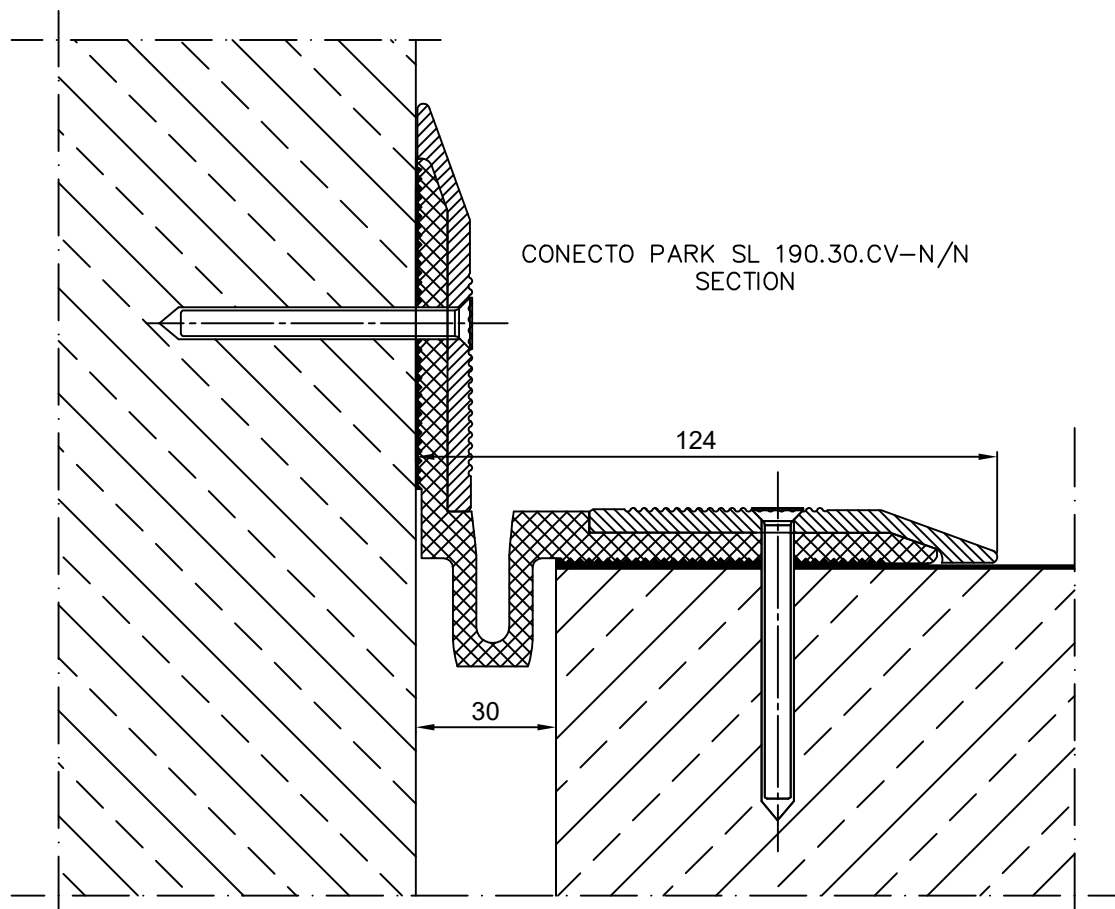


INFORMATION TABLE

Profile type	Visible element [mm]	Joint width [mm]	Method of installation	Installation height [mm]	Material type	Maximum load [KN]	Horizontal/Vertical compensation [mm]
SL190.30.CV-N/N	124	30+35	wall-mounted	10	Aluminum, PVC	600	40(±20) 30(±15)



<p>Conecto Park SL 190.30.CV-N/N</p>				<p>Conecto Profiles Sp. z o.o. ul. Przemysłowa 39 61-541 Poznań www.conecto-profiles.com</p>					
				PROJEKT	PROJECT	ZŁOŻENIE	SUB ASSEMBLY	RYSLINEX	DRAWING
ROZMIAR / SIZE	SKALA / SCALE	Wszystkie wymiary podano w [mm] All dimensions in [mm]					1	Z DF	1
A3	1:1				01				